



ROOF RACKS BY

SAMMITR AUSTRALIA EcoRack ROOF RACK WITH ROLLER ASSEMBLY & INSTALLATION INSTRUCTION

Part # 800222

For use with SMM V2/V4 Canopies

The installation kit contains sufficient components for fitment. Do not substitute any components. A high degree of technical competence is necessary to correctly install this product. We recommend this roof rack be installed by an authorised dealer to ensure the installation complies with the requirements of AS1235-2000 (ISO/PAS 11154 2006). This product is designed and rated for use within the standard specification and operating conditions of the vehicle. Vehicle and/or product modification, misuse or abnormal operation can compromise the performance and operation of this product and/or vehicle and is therefore not endorsed. These instructions must be read and clearly understood before commencing installation.

Assembly time - Approximately 0.25 Hours
Installation time - Approximately 1 Hour

"The estimated fitting time is based on an experienced fitter conversant with the fitment procedure"



WARNINGS

- **Strict compliance with fitting instructions is essential for this product to meet its rated capacity.**
- **Do not modify roof rack in any way.**
- **Do not use this roof rack on any other vehicle for which it is not designed.**
- **Modifications to the roof rack or its fixings or use on any other vehicle for which it is not designed may void the load rating and warranty.**
- **Where high tensile threaded fasteners are used, the roof rack must be installed using the size and grade fasteners specified by Milford Industries.**
- **Always use the supplied Anti Seize compound on stainless steel threaded components to prevent threads binding.**

TOOLS REQUIRED

- | | |
|---------------------------|--------------------------------|
| • Hex Key - 4mm/5mm/6mm | • Hex Driver Bit - 4mm/5mm/6mm |
| • Socket Wrench | • Driver Bit To Wrench Adaptor |
| • Socket - 13mm | • Torque Wrench (15Nm) |
| • Ring Spanner - 13mm | • Suitable Work Platforms |
| • Phillips Screwdriver #1 | • Roof Protection Sheet |
| • Tape Measure | |



SAMMITR AUSTRALIA
EcoRack ROOF RACK WITH ROLLER
ASSEMBLY & INSTALLATION INSTRUCTION

Part # 800222

For use with SMM V2/V4 Canopies





SAMMITR AUSTRALIA

EcoRack ROOF RACK WITH ROLLER ASSEMBLY & INSTALLATION INSTRUCTION

Part # 800222

For use with SMM V2/V4 Canopies

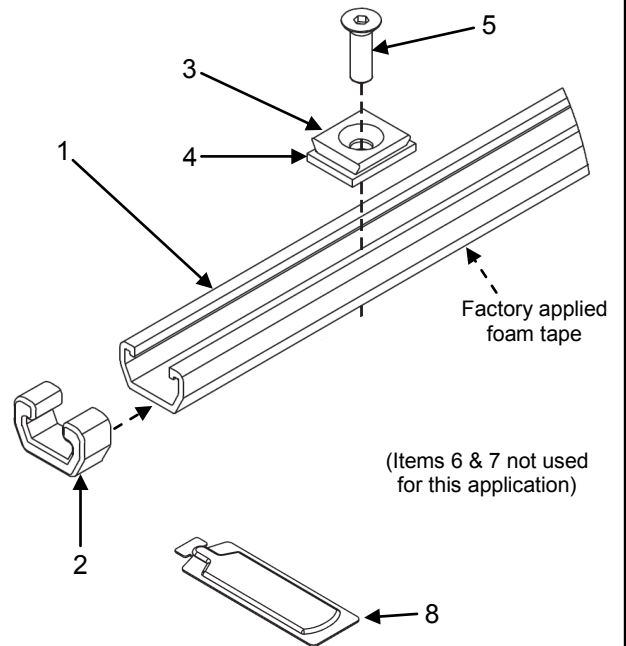


IMPORTANT: The installation kit contains sufficient components to fit the accessory. A high degree of technical competence is necessary to correctly install this product. We recommend this accessory be installed by an authorised dealer to ensure the installation is correct. These instructions must be read and clearly understood before commencing installation. Check contents of kit before commencing fitment and report any discrepancies or damage.

Parts List

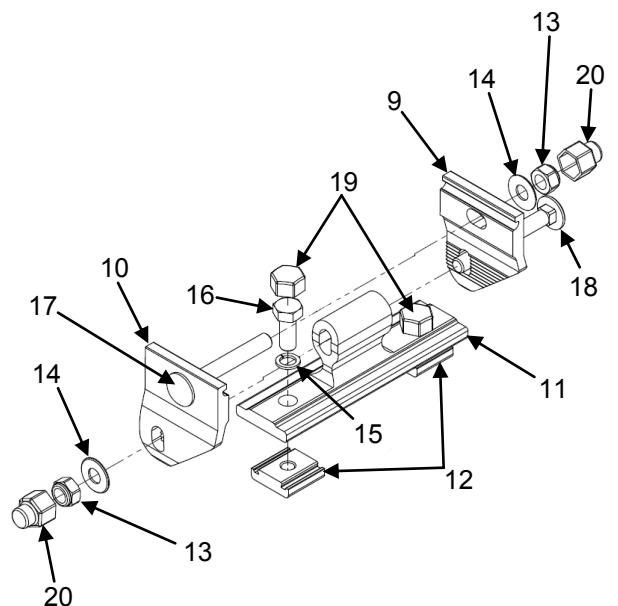
Roof Mounting Channels and Mounting Hardware (AC41)

Item	Component Name	Part No.	Qty
1	Mounting Channel (1120mm)	AC41-1	2
2	Cap - Mounting Channel	CAP-3110	4
3	Channel Connecting Plate (6mm)	BRT-1119	8
4	Neoprene Pad	FST-0002	12
5	CSK Socket Screw - M6 x 30 SS	BLF-1030-M6	8
6	Channel Connecting Plate (5mm)	BRT-1120	4
7	CSK Socket Screw - M5 x 30 SS	BLF-1030-M5	4
8	Anti Seize Compound	ASZ-0101	1



Rack Mounts (AM02S)

Item	Component Name	Part No.	Qty
9	Support Post LH	BRT-1266	4
10	Support Post RH	BRT-1267	4
11	Channel Foot	BRT-1884	4
12	Channel Nut (M8)	NBR-1011	8
13	Hex Nut - Nyloc, M8 SS	NUT-1002-M8	8
14	Washer - Flat, 8mm SS	WSH-1001-G	16
15	Washer - Spring, 8mm SS	WSH-1002-G	8
16	Screw - Hex Head, M8 x 20 SS	BLT-1020-M8	8
17	Bolt - Coach, M8 x 60mm SS	BLC-1060-M8	4
18	Bolt - Coach, M8 x 65mm SS	BLC-1065-M8	4
19	Hex Screw Caps (Plastic)	CAP-3312-G	8
20	Hex Nut Caps (Plastic)	CAP-3313-G	8



E and OE—Errors and Omissions Excepted



SAMMITR AUSTRALIA

EcoRack ROOF RACK WITH ROLLER ASSEMBLY & INSTALLATION INSTRUCTION

Part # 800222

For use with SMM V2/V4 Canopies

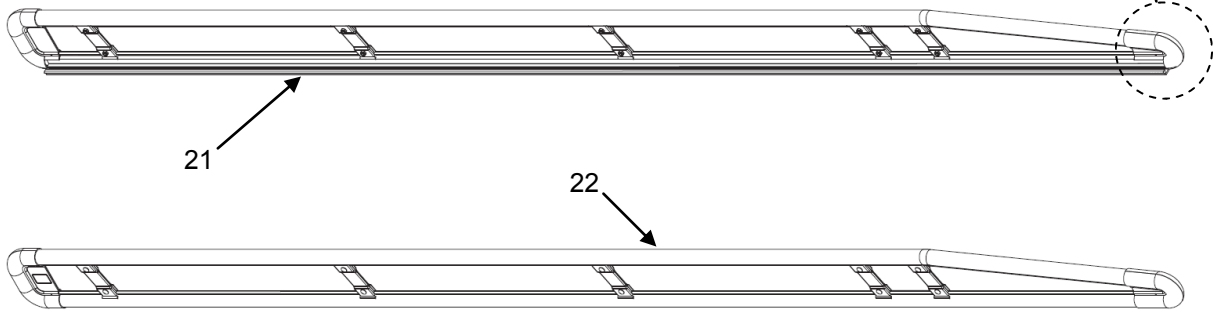
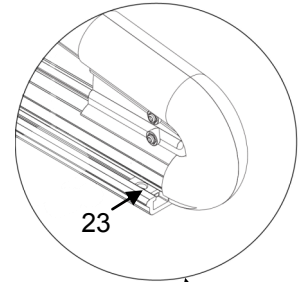


IMPORTANT: The installation kit contains sufficient components to fit the accessory. A high degree of technical competence is necessary to correctly install this product. We recommend this accessory be installed by an authorised outlet to ensure the installation is correct. These instructions must be read and clearly understood before commencing installation. Check contents of kit before commencing fitment and report any discrepancies or damage.

Parts List

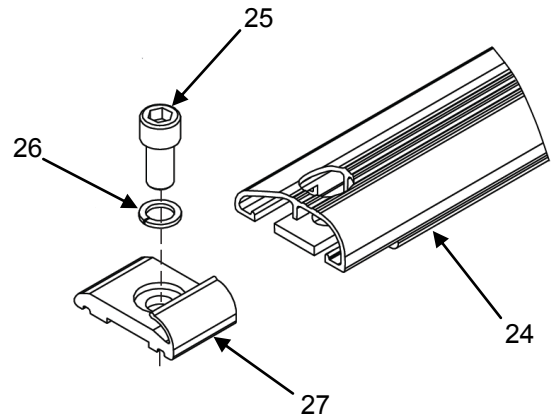
Roof Rack Sides (AR-C)

Item	Component Name	Part No.	Qty
21	Side Rail LHS (1600mm)	AR-C (LH)	1
22	Side Rail RHS (1600mm)	AR-C (RH)	1
23	Strip Nut M8 (Preassembled at required spacing's)	NBR-7118	10



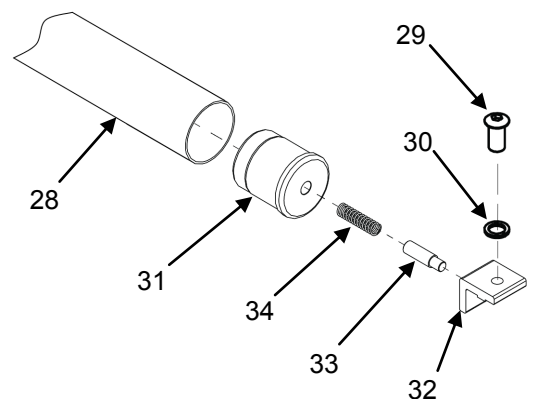
Roof Rack Cross Rails (AR-4)

Item	Component Name	Part No.	Qty
24	Cross Bar (1250mm)	BRR-13493	4
25	Screw - Socket Head, M8 x 16mm SS	BLA-1016-M8	8
26	Washer - Spring, 8mm SS	WSH-1002-G	8
27	Connecting plate	BBR-1326	8



Roof Rack Roller (ARL-4)

Item	Component Name	Part No.	Qty
28	Roller Tube (1160mm)	ARL-4	1
29	Screw - Button Head, M8 x 16mm SS	BLA-1016-M8	2
30	Washer - Spring, 8mm SS	WSH-1002-G	2
31	Roller End Cap	ROL-302-M	2
32	Roller Bracket	ROL-100-55	2
33	Roller Pin	ROL-105	2
34	Roller Spring	SPR-030-1.25	2



E and OE—Errors and Omissions Excepted



SAMMITR AUSTRALIA EcoRack ROOF RACK WITH ROLLER ASSEMBLY & INSTALLATION INSTRUCTION

Part # 800222

For use with SMM V2/V4 Canopies



ASSEMBLY OF EcoRack

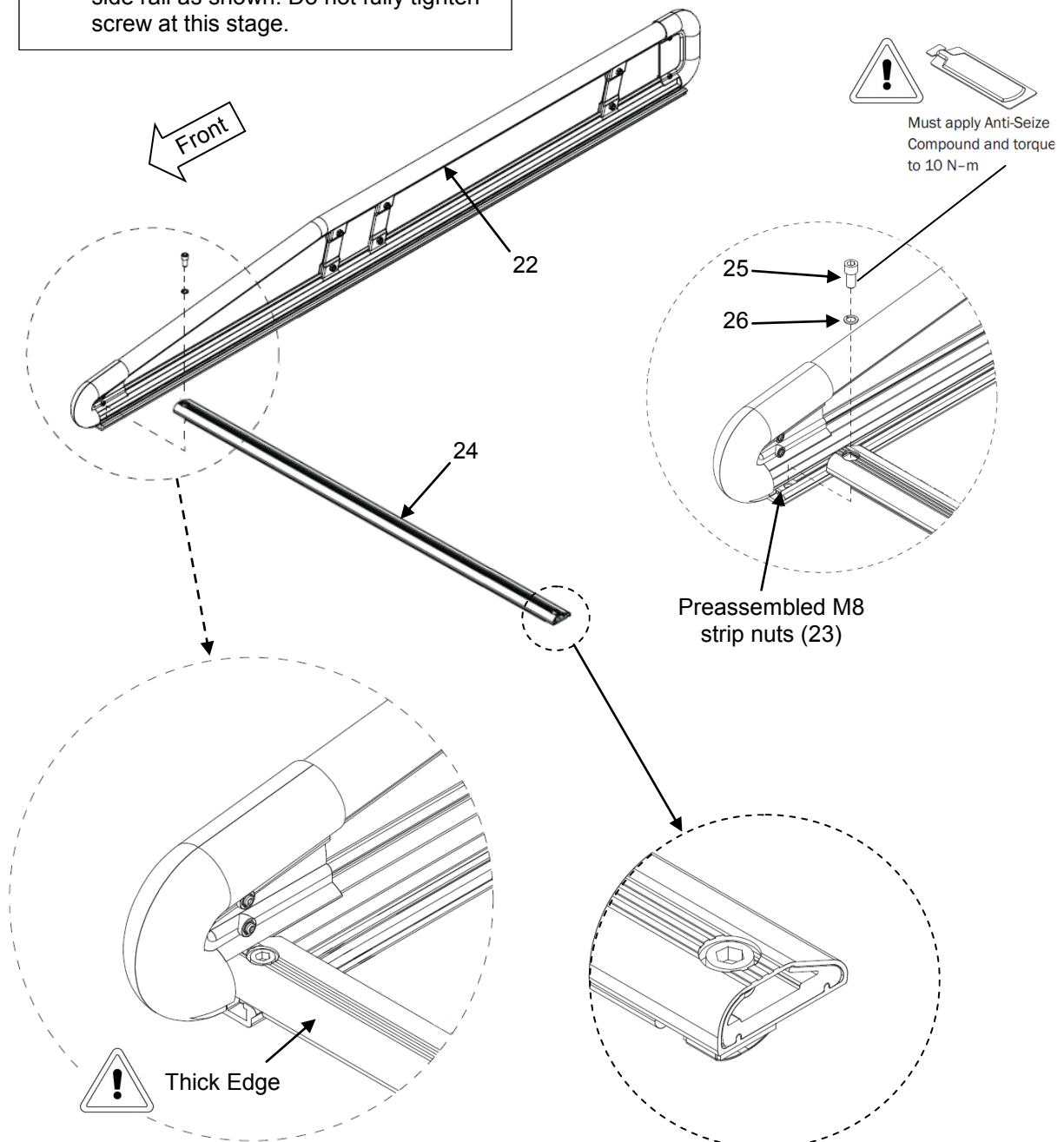


1. Apply anti seize compound to the threads of M8 socket head screws (25).
2. Position a cross bar (24) on the RHS side rail (22) as shown.



Note: It is important to orientate the cross bar with the thicker rounded edge to the front. - Failure to do so may cause damage as a result of vibration & aerodynamic thrust.

3. With a spring washer (26) under the screw head, secure the cross bar to the side rail as shown. Do not fully tighten screw at this stage.





SAMMITR AUSTRALIA
EcoRack ROOF RACK WITH ROLLER
ASSEMBLY & INSTALLATION INSTRUCTION

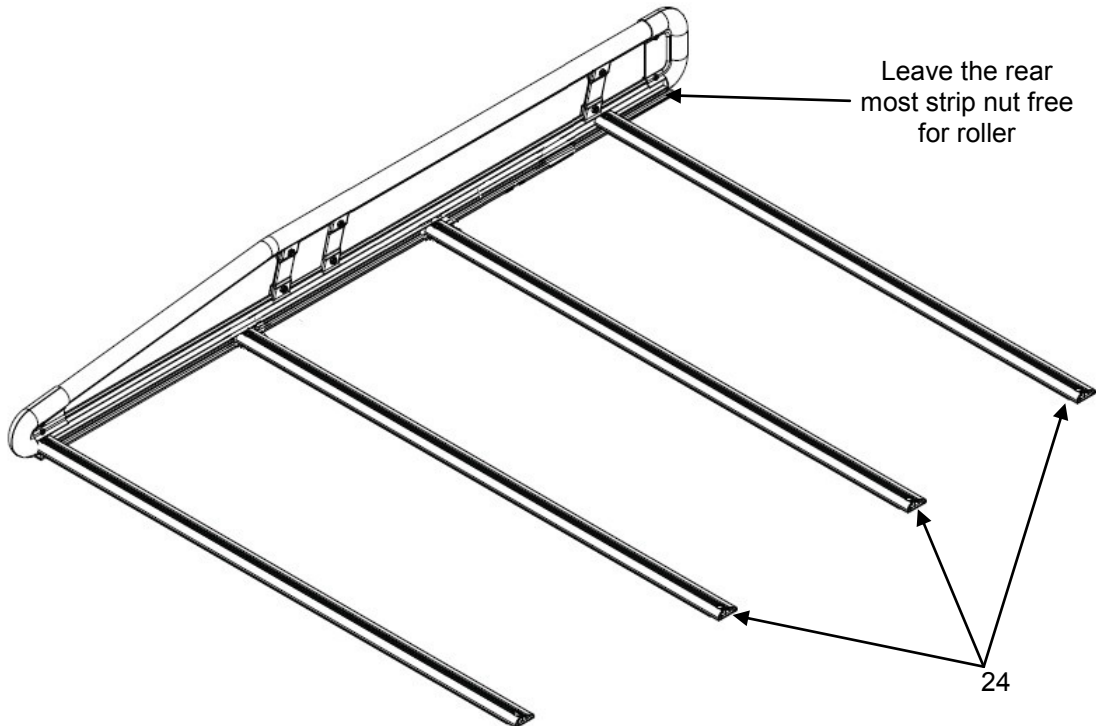
Part # 800222

For use with SMM V2/V4 Canopies

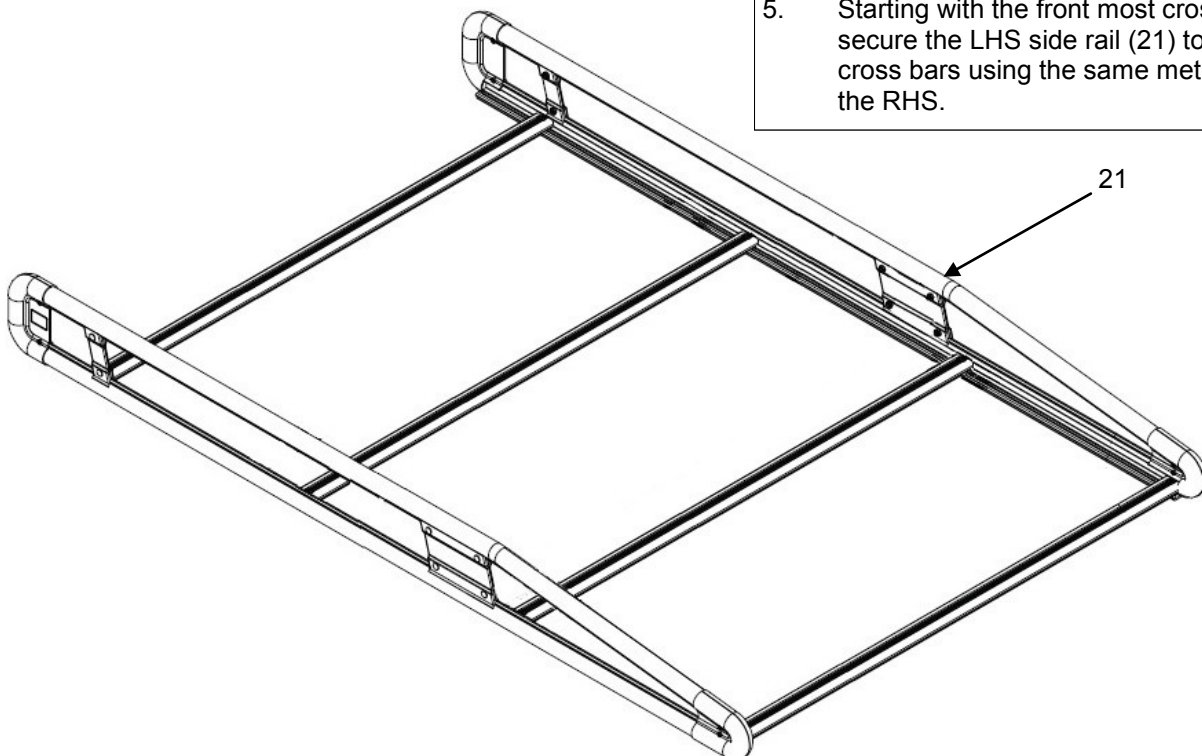


ASSEMBLY OF EcoRack

4. Repeat steps 1 to 3 for the other 3 cross bars.



5. Starting with the front most cross bar, secure the LHS side rail (21) to the cross bars using the same method as the RHS.





SAMMITR AUSTRALIA EcoRack ROOF RACK WITH ROLLER ASSEMBLY & INSTALLATION INSTRUCTION

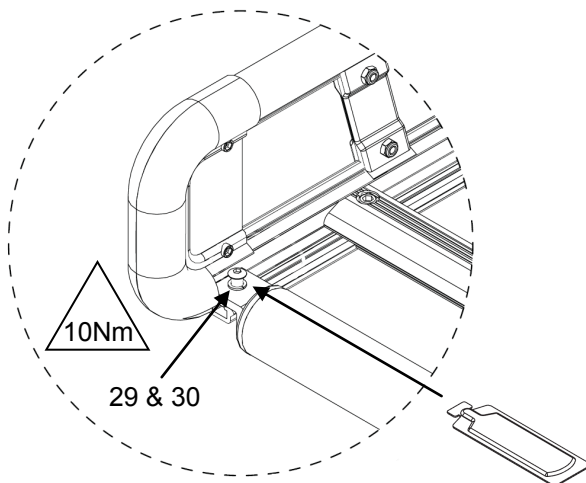
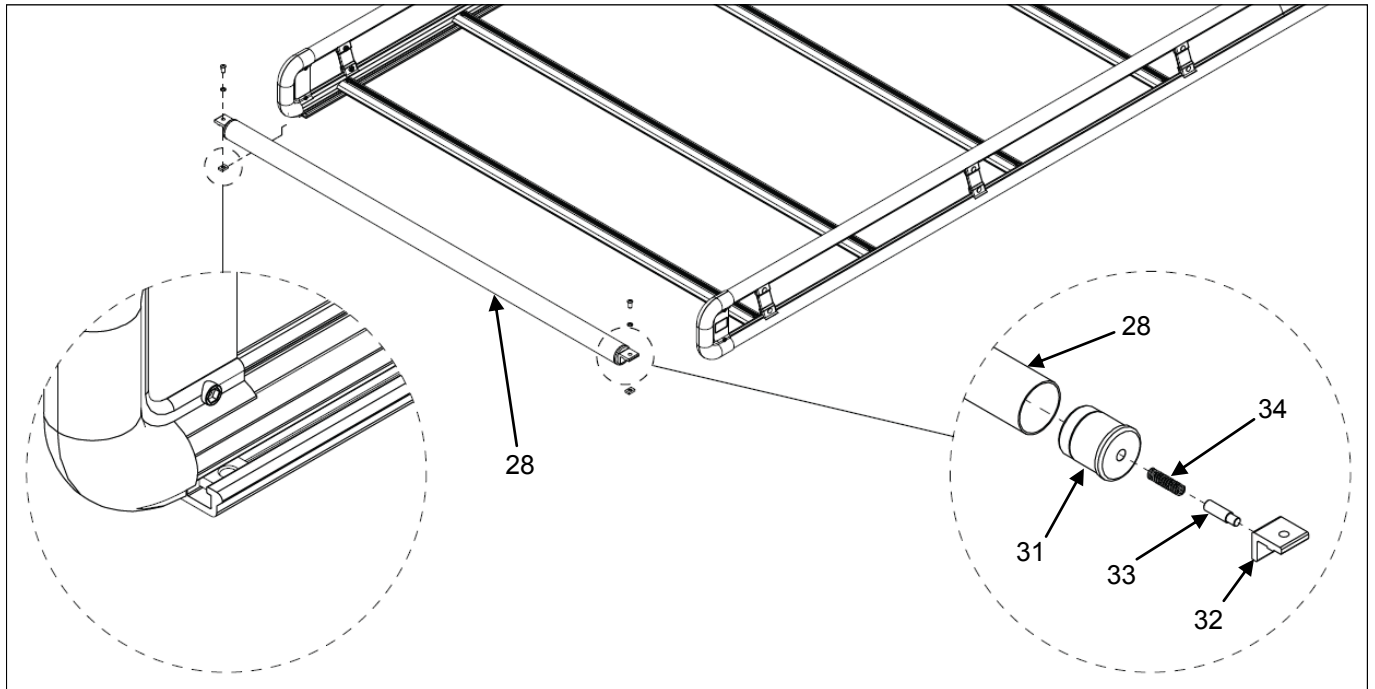
Part # 800222

For use with SMM V2/V4 Canopies



ASSEMBLY OF ROLLER TO EcoRack

6. Assemble the roller components as shown.
7. Position the roller ASM over the rear most strip nuts in side rails.



8. Apply anti seize compound to the roller securing screws (29).



9. With a spring washer (30) under screw heads secure the roller in place as shown.
10. Torque up the screws to 10Nm.



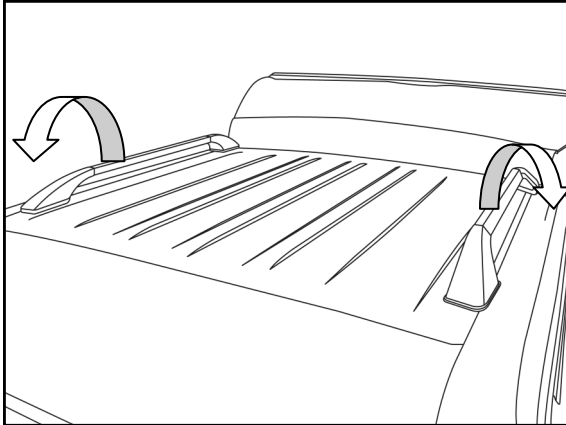
SAMMITR AUSTRALIA EcoRack ROOF RACK WITH ROLLER ASSEMBLY & INSTALLATION INSTRUCTION

Part # 800222

For use with SMM V2/V4 Canopies

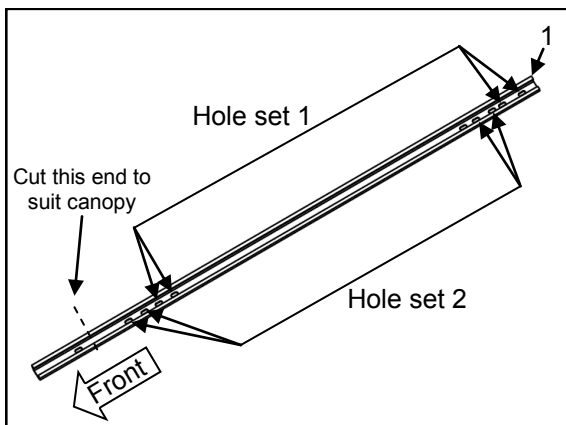


REMOVE THE PLASTIC ROOF RAILS

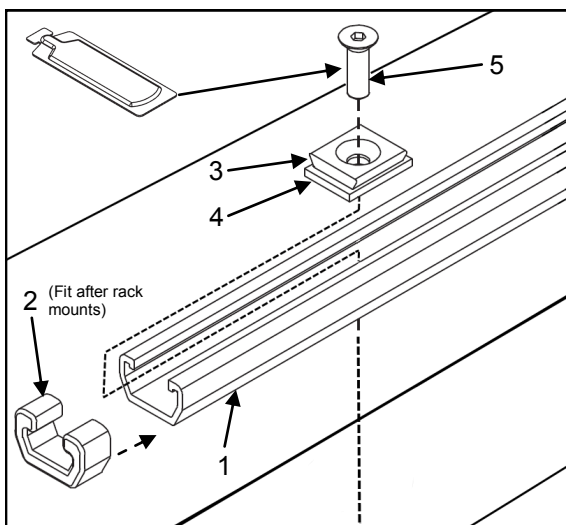


11. Remove the factory fitted plastic roof rails from the canopy by unclipping the screw covers and removing the securing screws. (These will not be reinstalled)

ASSEMBLY OF ROOF MOUNTING CHANNELS TO VEHICLE



12. The roof mounting channels are supplied with 2 sets of mounting holes to suit various canopy styles. Lay the channels over the canopy mounting holes and select the best set for the application.
13. In some cases the channels will be too long for the length of the canopy roof. The channels should be cut to length to suit the canopy, but keeping the channels as long as possible.



14. Affix a neoprene pad (4) to the bottom of each channel connecting plate (3) as shown.
15. Position the mounting channels (1) over the roof mounting points.
16. Slide the channel connecting plates (3) into the channels and position over each of the canopy mounts. 4 per channel.
17. Apply anti seize compound (8) to the threads of the M6 CSK screws (5).
18. Thread an M6 CSK screw (5) through each of the channel connecting plates/mounting channel and into the roof mounts.



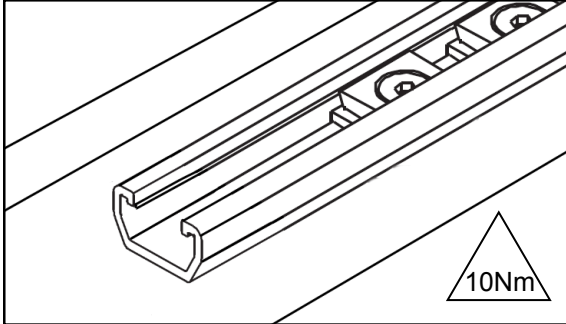
SAMMITR AUSTRALIA EcoRack ROOF RACK WITH ROLLER ASSEMBLY & INSTALLATION INSTRUCTION

Part # 800222

For use with SMM V2/V4 Canopies

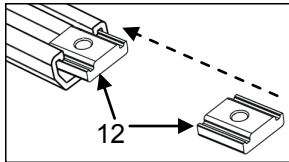


ASSEMBLY OF ROOF MOUNTING CHANNELS TO VEHICLE - Cont'd

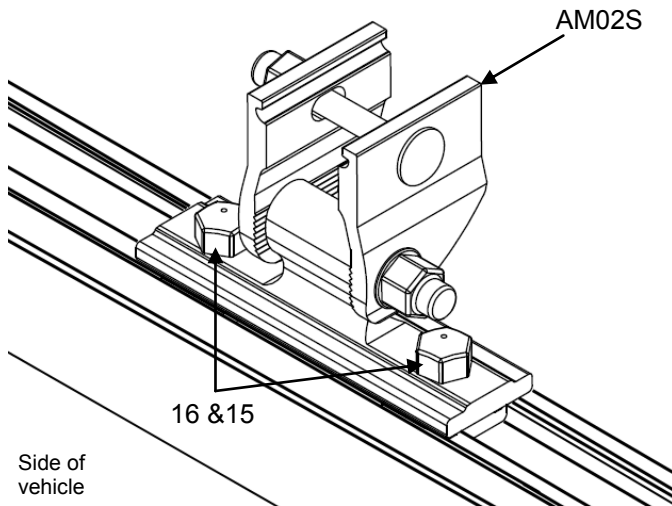


19. Tighten and torque up the screws to 10Nm.

ASSEMBLY OF RACK MOUNTS TO ROOF CHANNELS



Apply to all
screw threads



20. Slide 4 channel nuts (12) into each roof mounting channel.
21. Position the channel nuts in pairs at the approximate locations to land under the 2nd & 4th cross bars.
22. Apply anti seize compound (8) to the threads of the M8 hex head screws (16).
23. Position a channel foot (11) on the roof mounting channel with the holes aligned with the channel nuts, and the support post mount towards the centre of the vehicle.
24. Loosely secure the channel foot to the channel nuts using M8 screws (16) with spring washers (15) under heads.
25. Repeat for the other 3 mounts.
26. Fit the roof mounting channel caps (2) to the ends of the channels.
27. Loosely assemble the rack mounts (AM02S) as shown.



SAMMITR AUSTRALIA
EcoRack ROOF RACK WITH ROLLER
ASSEMBLY & INSTALLATION INSTRUCTION

Part # 800222

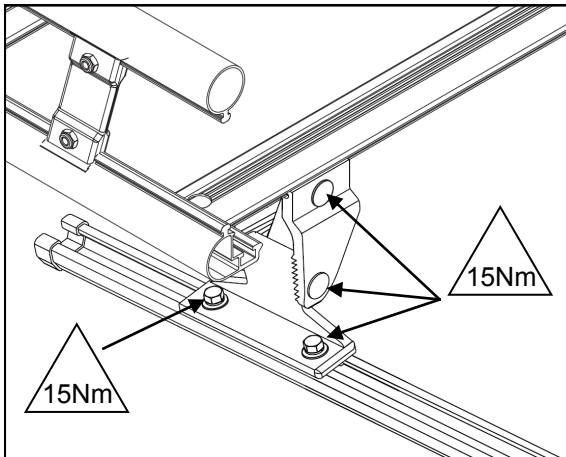
For use with SMM V2/V4 Canopies



SECURE THE EcoRack TO THE RACK MOUNT BRACKETS

28. Position the rack mounts in pairs opposite each other, and in the approximate location to land under the 2nd and 4th EcoRack cross bars.
29. With the assistance of a 2nd person manoeuvre the EcoRack into position on the roof of the vehicle.
30. Lightly force the 2nd and 4th cross bars into the top of the rack mounts.
31. Where possible the EcoRack needs to be positioned so as a ladder can be leant against the roller without the ladder touching the vehicle.

Note: The EcoRack will need to be positioned to clear the open rear door.



32. Check the distance of the rack mounts from the ends of the mounting channels on both sides of the vehicle, to ensure they are the same.
33. Tighten and torque up the rack mounts hex screws to 15Nm. Fit caps (19).
34. Check the distance the EcoRack hangs outside the rack mounts on each side of the vehicle, and adjust until equal.
35. Tighten and torque up the coach bolts to 15Nm.
36. Fit nut & screw caps (19 & 20).
37. Finally torque up all EcoRack M8 socket head screws to 15Nm (8 places).

