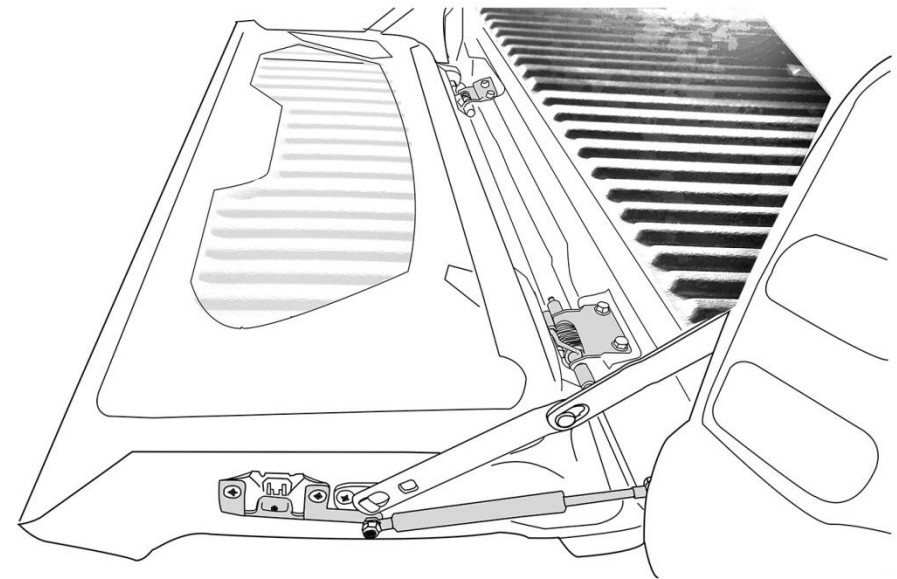




## FITTING INSTRUCTION

### Mitsubishi Triton



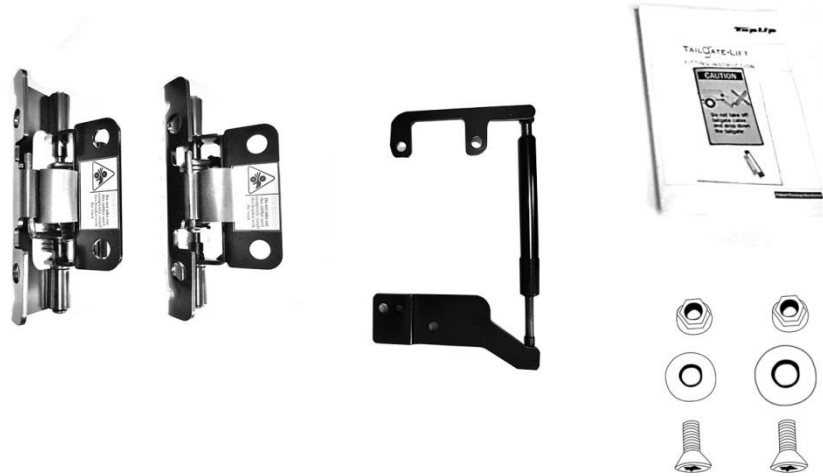
## Note :

Apply WD40 or grease to the moving parts regularly for good performance of the product.

Patent Pending Worldwide

Patent Pending Worldwide

Part list



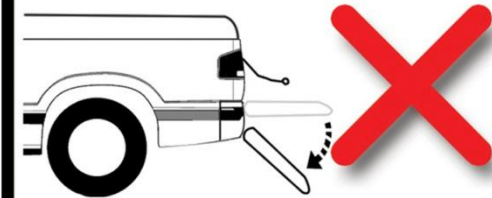
Tooling



No.14   No.10

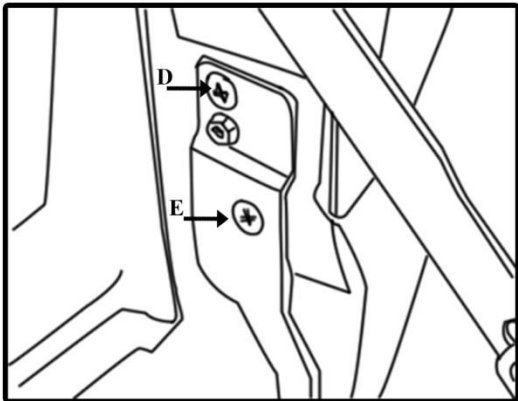
No.14   No.12

**CAUTION**

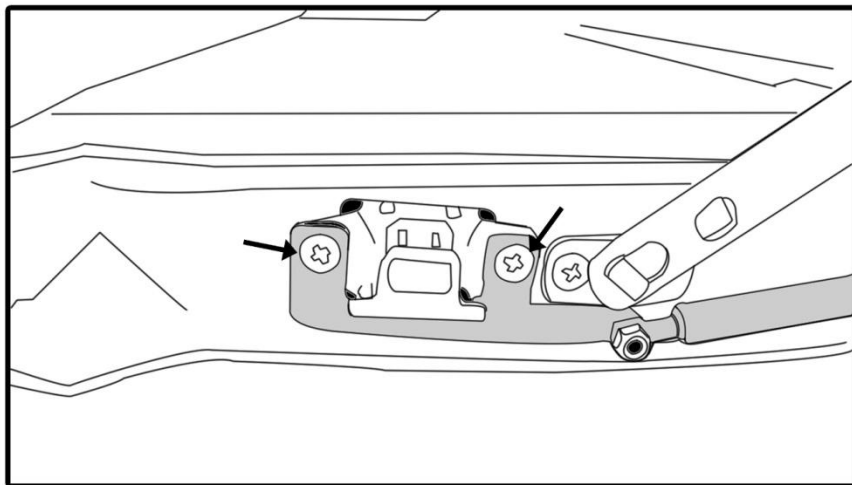


Do not take off  
tailgate cable  
and drop down  
the tailgate

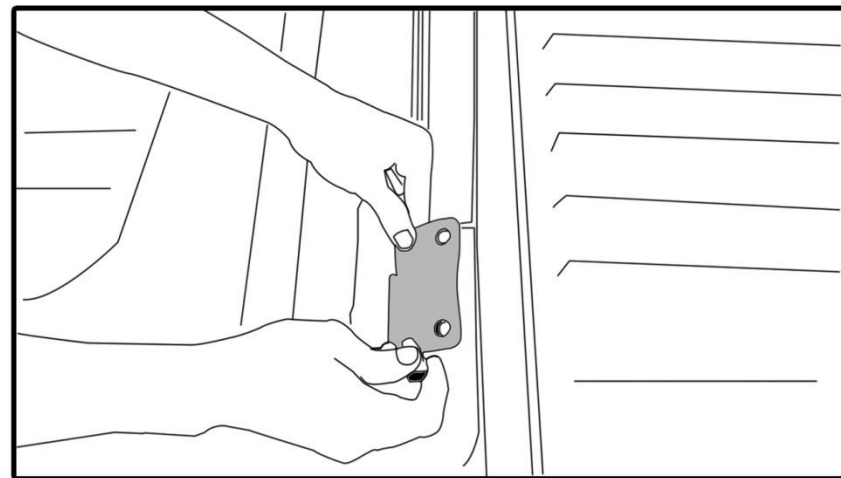
**6. Attach damper bracket with the truck using M8 bolts and nut(D)(E). Then put back the rear light.**



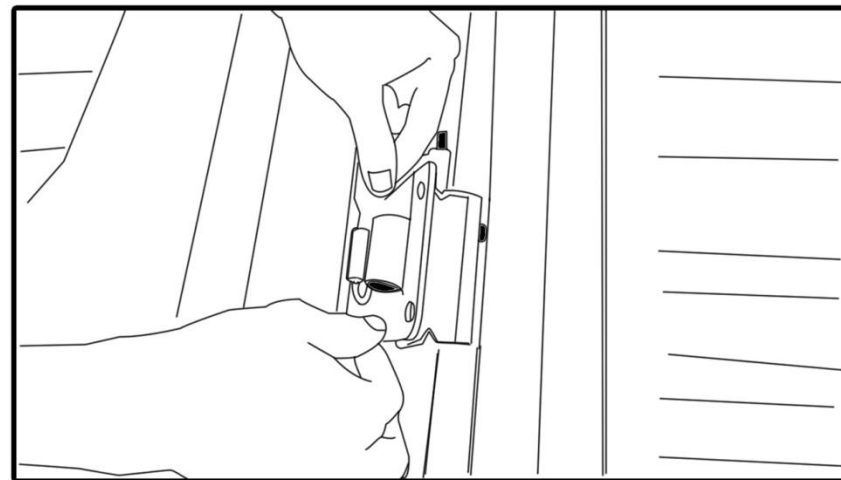
**7. Attach damper bracket to the tailgate using original bolts.**



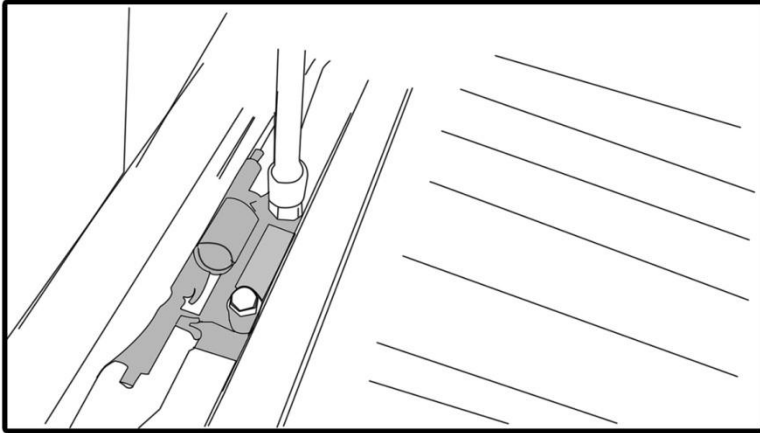
**1. Take off original tailgate bracket**



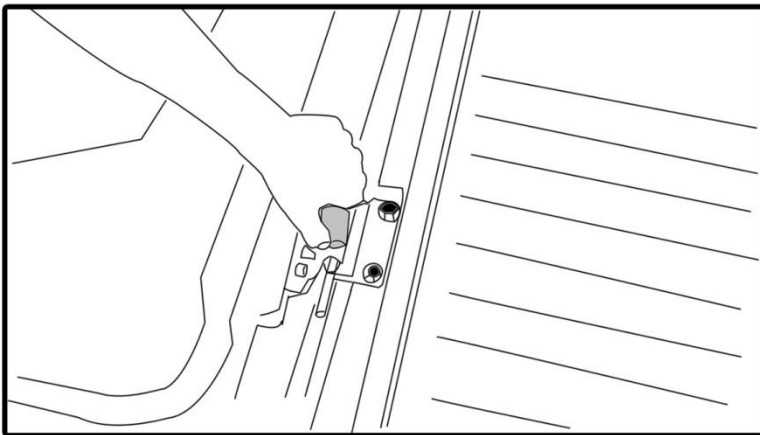
**2. Put ProLift brackets with the tailgate using original bolts**



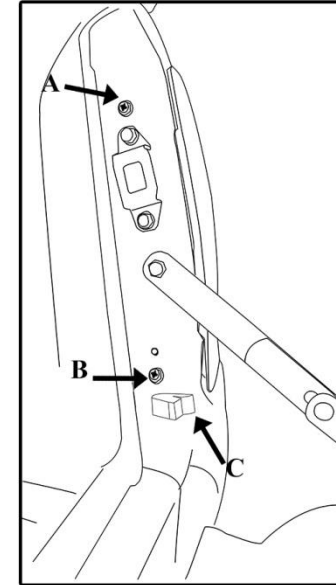
**3. Lift the tailgate to proper position  
and fit the ProLift bracket with  
the truck using original bolts**



**4. Open the tailgate and take out the  
stopper rubber**



**5. Un bolt A&B to take out rear light.  
take out rubber (C)**



**Caution!**  
**Take out rear light  
in the correct direction  
(Backward)**

