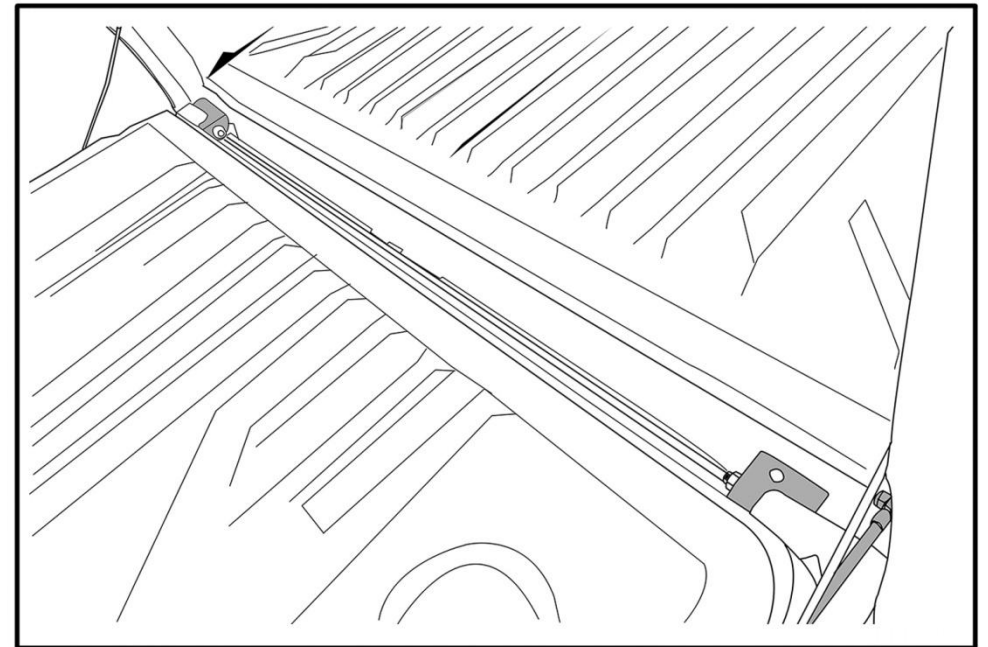




FITTING INSTRUCTION

TOYOTA VIGO

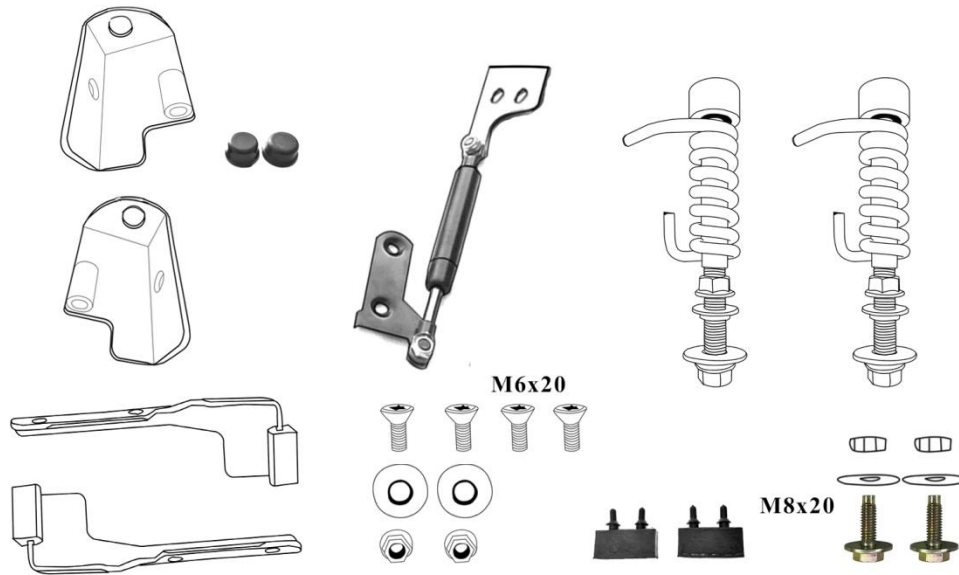
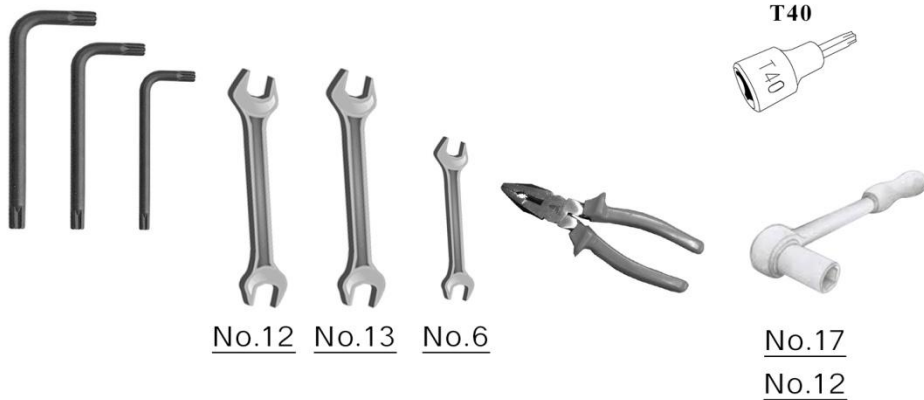
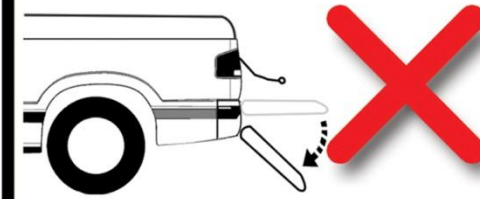


Note :

Apply WD40 or grease to the moving parts regularly for good performance of the product.

Patent Pending Worldwide

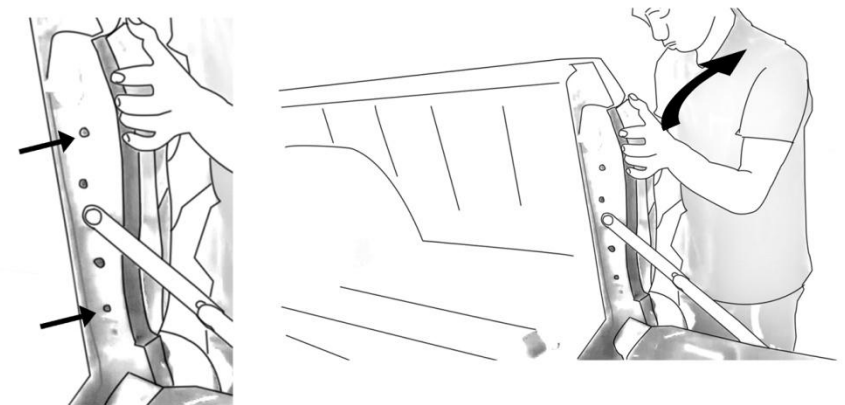
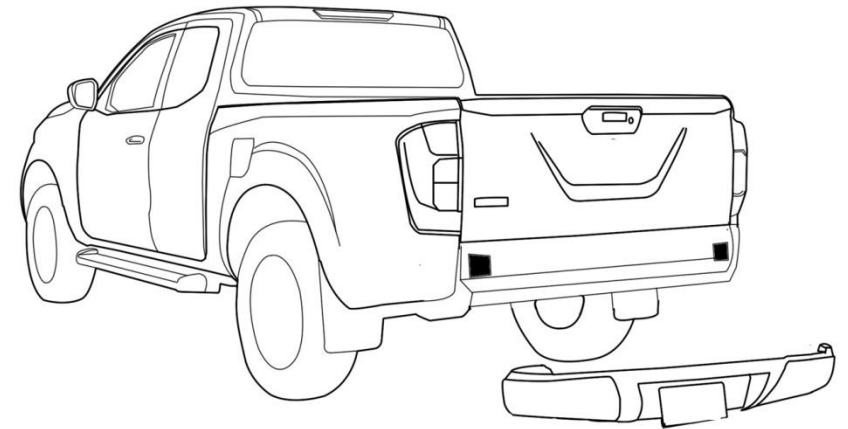
Patent Pending Worldwide

Part list**Tooling****CAUTION**

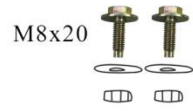
Do not take off
tailgate cable
and drop down
the tailgate

NOTE : Process #2 - #4 will be done from the bottom of the tailgate while the tailgate in closed position.

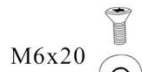
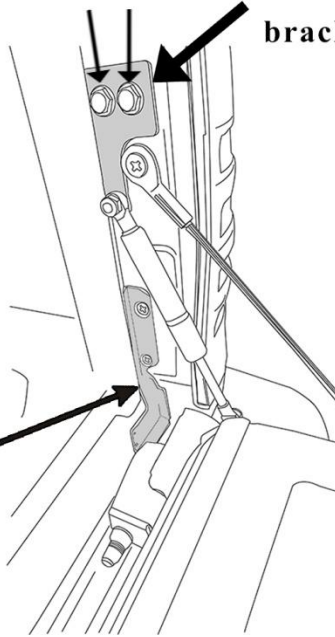
1. Take off rear bumper



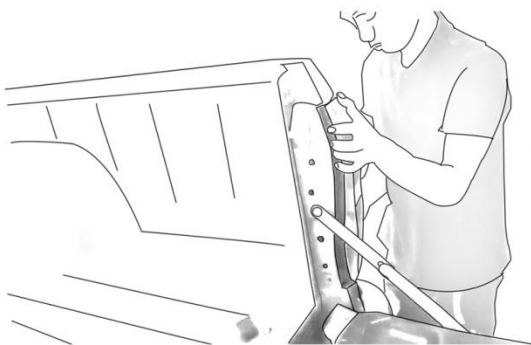
**2. Take out rear light cover
(direction to the side of the truck)**



3. Attache damper bracket to truck body

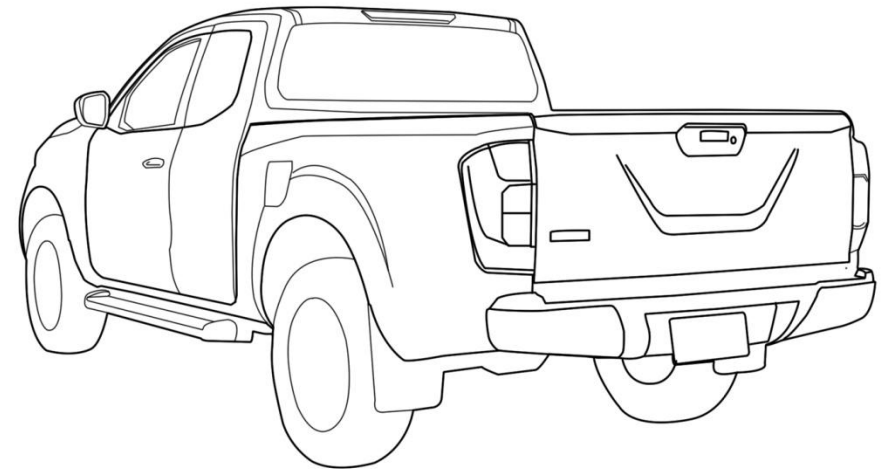
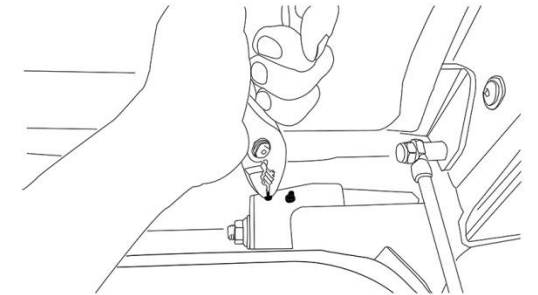
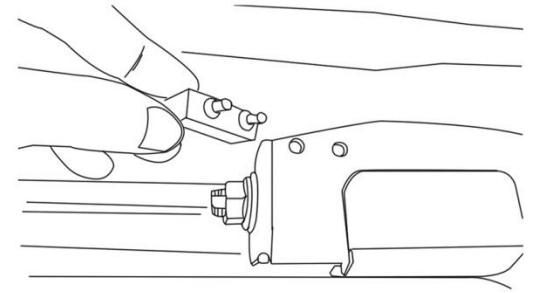


4. Attache spring supporting bracket to truck body

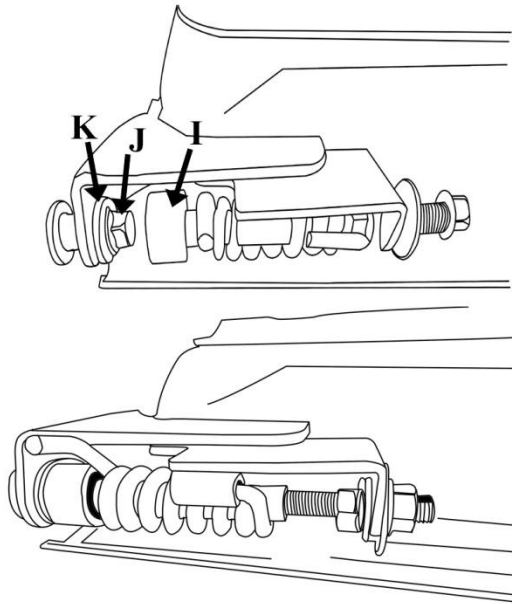


5. Put back rear light cover

9. Put stopper rubber with tailgate bracket

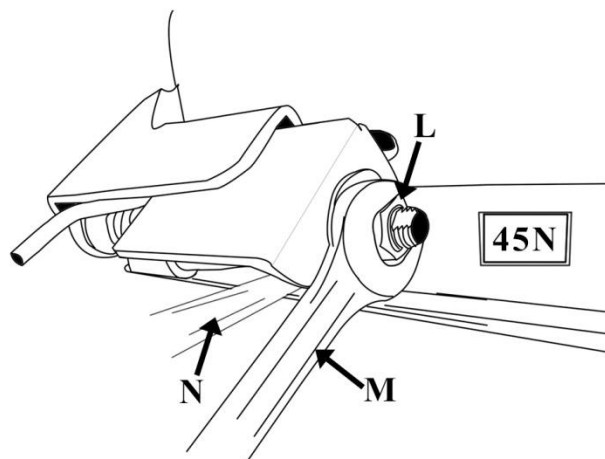


10. put back rear bumper

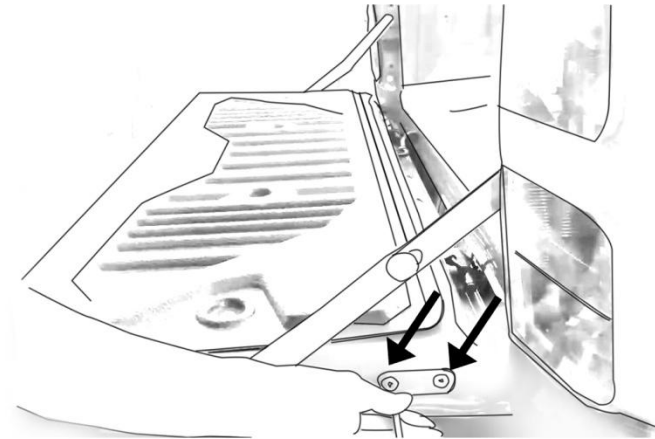


tighten the nut (E) till bush (I)
completely cover the bolt head (J)
and touch the flat washer (K)

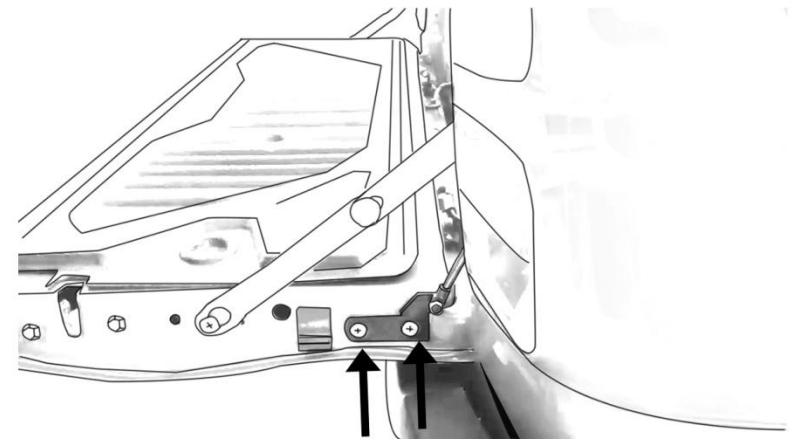
8.3 tighten nut (L) with wrench #12 (M) while
holding nut (E) with wrench #12 (N)



6. Install damper bracket (with tailgate)

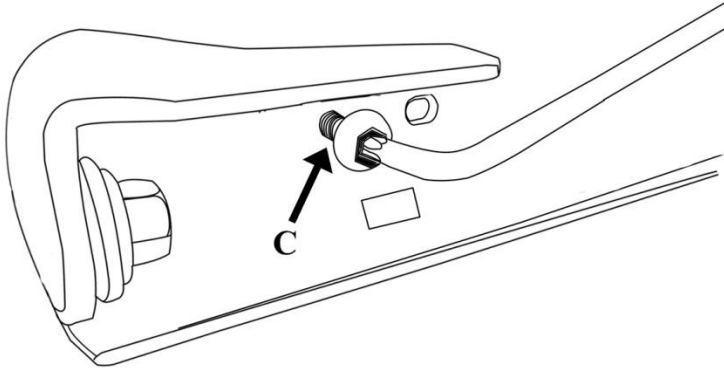


take off original bolts

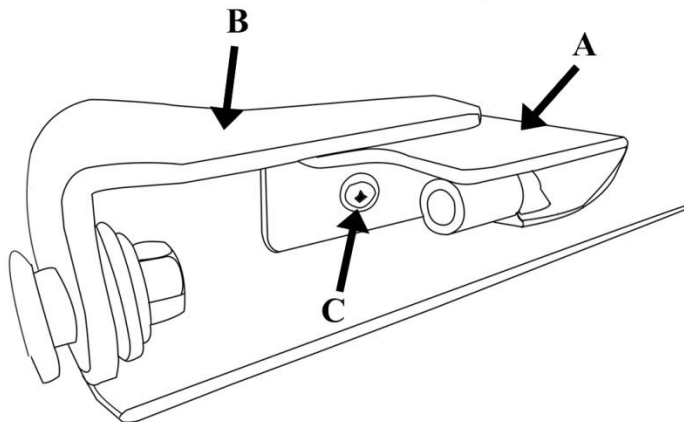


put damper bracket and tighten back the
original bolt.

6.un-bolt the truck tailgate bracket

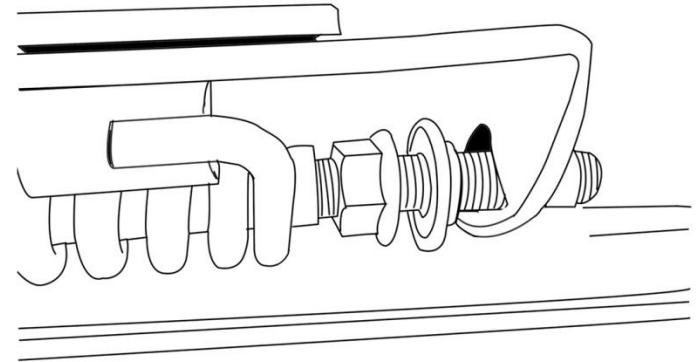


7. Attache tailgate bracket (A) on the truck tailgate bracket (B) Original bolt (C)

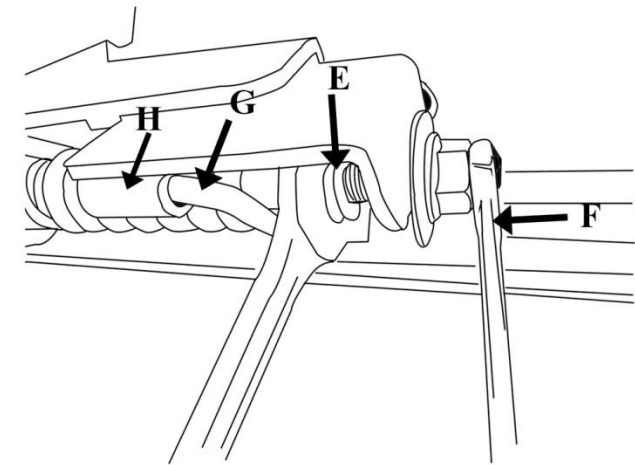


8. Assembly the spring set with tailgate bracket

8.1 put spring set with tailgate bracket as below picture



8.2 tighten nut (E) while holding the rod of the spring set with #6 wrench (F)



Make sure that the spring end (G) is slid in the bush (H) of the tailgate bracket